

Customer Information



The document is only valid in pdf format with the vertical stamp on the right margin.

Printed by M.DUMAN at 12:22:49 EST 28.11.2022

LEDPWL 109-FL (PX4500 FL) Cust. Info

RL 2022-06-01

9C1 4411740-EN-00

Released

AM-ENT-IND SSL&EL München 700

ECM

Moritz Schulz AMW

External no.:

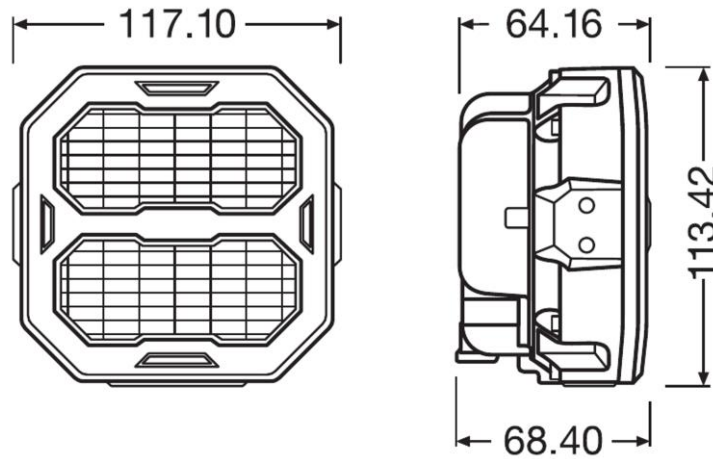
Template: ZOT 10000028

Page 1 of 4

OSRAM GmbH: Chairman of the Supervisory Board: Peter Bauer; Managing Directors: Dr. Olaf Bertien (Chairman), Kathrin Dahnke, Dr. Stefan Kampmann;
Registered office: Munich; Commercial registry: Munich, HRB 201526; WEEE-Reg.-No. DE 71568000

Cube PX4500 Flood - Customer Information Sheet

LEDPWL 109-FL



General tolerances in accordance with ISO 2768-v (Allgemeine Toleranzen nach ISO 2768-v)

Additional Mounting Kit's (separately available):

(1) Mounting Kit PX

(2) Heavy Duty Mounting Kit PX

#OSRAM OLQ(V)
#OSRAM SCHULZ
#700 #MO.SCHULZ

#AMW #LEDPWL 109-FL (PX4500 FL) Cust. Info

2022-06-01
#RL-Released
9C1 4411740-EN-00

Customer Information



The document is only valid in pdf format with the vertical stamp on the right margin.

Printed by M.DUMAN at 12:22:49 EST 28.11.2022

LEDPWL 109-FL (PX4500 FL) Cust. Info

RL 2022-06-01

9C1 4411740-EN-00

Released
ECM

AM-ENT-IND SSL&EL München 700
Moritz Schulz AMW

External no.:

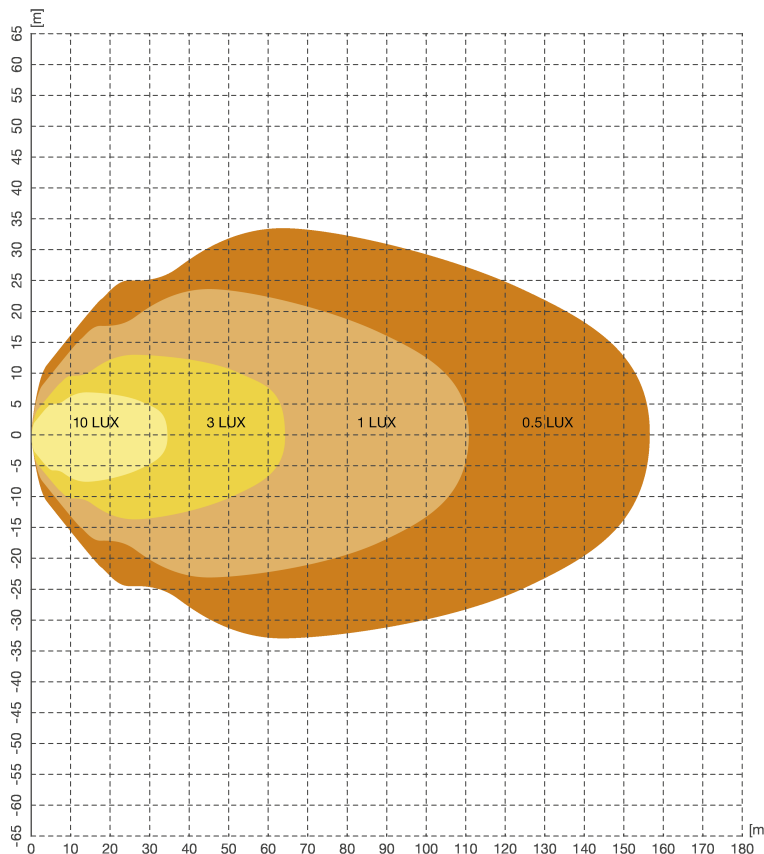
Template: ZOT 10000028

Page 2 of 4

OSRAM GmbH: Chairman of the Supervisory Board: Peter Bauer; Managing Directors: Dr. Olaf Bertien (Chairman), Kathrin Dahnke, Dr. Stefan Kampmann;
Registered office: Munich; Commercial registry: Munich, HRB 201526; WEEE-Reg.-No. DE 71568000



Light distribution (Lichtverteilung)



Packaging content (Verpackungsinhalt)

No.	Part Name	Description	Qty
1	lamp	housing aluminium	1
2	user manual	n/a	1

Standards and regulations (Normen und Vorschriften)

#OSRAM OLQ(V)
#OSRAM
#700 #MO.SCHULZ

#AMW #LEDPWL 109-FL (PX4500 FL) Cust. Info
2022-06-01
#RL-Released
9C1 4411740-EN-00

Customer Information



The document is only valid in pdf format with the vertical stamp on the right margin.

Printed by M.DUMAN at 12:22:49 EST 28.11.2022

LEDPWL 109-FL (PX4500 FL) Cust. Info

RL 2022-06-01

9C1 4411740-EN-00

Released

AM-ENT-IND SSL&EL München 700

ECM

Moritz Schulz AMW

External no.:

Template: ZOT 10000028

Page 3 of 4

OSRAM GmbH: Chairman of the Supervisory Board: Peter Bauer; Managing Directors: Dr. Olaf Berlien (Chairman), Kathrin Dahnke, Dr. Stefan Kampmann;
Registered office: Munich; Commercial registry: Munich, HRB 201526; WEEE-Reg.-No. DE 71568000

EMC/EMI	CISPR25 Class 3
IP Class	IP6K8, IP6K9K
ECE	ECE R10
Other legal requirements	FCC part 15b

Electrical and photometrical data (Elektrische und lichttechnische Daten)

Characteristics (Messwert)	Symbol	Unit (Einheit)	Major / Minor	Tolerance (Toleranz) [%]
Voltage (Spannung)	U	V	12/24V	9V-32V
Wattage (Leistung) @25°C	P	W	45W	± 10%
Steady State luminous flux (Lichtstrom) (30min. @25°C & 13,2V Goniometer: Vertical & horizontal: ±90°)	Φ	lm	4500lm	+20/ -10%

Life time (Lebensdauer)

Test (Prüfung)			
Life time average (@25°C)	Tc	h	5.000

Further specifications (Weitere Spezifikationen)

Test (Prüfung)	Rated value (Sollwert)	Test specification (Norm)
Color temperature (Farbtemperatur)	Cold White (6000K)	+/- 500K
Ambient Temperature range (Ta)	25°C	-40°C~+90°C
Storage Temperature range (Ts)	25°C	-40°C~+105°C
Derating, dimming	NTC overheat protection	
Light distance @1lx	≥105m	
Number of LED's	6 pcs.	
Weight (light + application material)	678g	
Connector	DT04-2P	
Wire length	n/a	
Polarity	Polarity Protection	

Process of manufacturing (Fertigungsprozess)

This product is designed and manufactured for the Automotive Aftermarket. Please consider the product specification to match the customer requirements. Dieses Produkt wurde für den Aftermarket entwickelt und produziert. Es ist unabdingbar, die Produktspezifikation mit den Kundenanforderungen abzugleichen.

Successive listing of changes (Änderungsfortschreibung)

Issue (Ausgabe):	Reason for change (Änderungsgrund):
31.05.2022	First Version

#OSRAM 0LQ(V)
#700 #MO .SCHULZ

#AMW #LEDPWL 109-FL (PX4500 FL) Cust. Info

#RL-Released
#9C1 4411740-EN-00

Customer Information



The document is only valid in pdf format with the vertical stamp on the right margin.

Printed by M.DUMAN at 12:22:49 EST 28.11.2022

LEDPWL 109-FL (PX4500 FL) Cust. Info

RL 2022-06-01

9C1 4411740-EN-00

Released

AM-ENT-IND SSL&EL München 700

ECM

Moritz Schulz AMW

External no.:

Template: ZOT 10000028

Page 4 of 4

OSRAM GmbH: Chairman of the Supervisory Board: Peter Bauer; Managing Directors: Dr. Olaf Bertien (Chairman), Kathrin Dahnke, Dr. Stefan Kampmann;
Registered office: Munich; Commercial registry: Munich, HRB 201526; WEEE-Reg.-No. DE 71568000

OSRAM OLQ(V)
#OSRAM
#MO.SCHULZ
#700
#AMW
#LEDPWL 109-FL (PX4500 FL) Cust. Info

2022-06-01
#RL-Released
9C1 4411740-EN-00