

Customer Information

The document is only valid in pdf format with the vertical stamp on the right margin.

Printed by M.DUMAN at 09:15:57 EST 19.07.2023

Cube_WL_VX125-WD-CI-Sheet.V00

RL 2023-07-18

9C1 4495632-EN-00

Released

AM-ENT-IND SSL&EL H 330

ECM

Mehmet Ali Duman AMW

External no.:

Template: ZOT 10000028

Page 1 of 5

OSRAM GmbH: Chairman of the Supervisory Board: Dr. Thomas Stockmeier; Managing Directors: Rainer Barthel (Chairman), Babette Fröhlich;
Registered office: Munich; Commercial registry: Munich, HRB 201526; WEEE-Reg.-No. DE 71568000

Cube WL VX125-WD - Customer Information Sheet

LEDWL108

Picture may differ from original product.

Product picture



#OSRAM_OLQ(V)

#330 #M.#DUMAN

#

#AMW #Cube_WL_VX125-WD-CI-Sheet.V00

2023-07-188

#RL-Released

9C1 4495632-EN-00

Customer Information

The document is only valid in pdf format with the vertical stamp on the right margin.

Printed by M.DUMAN at 09:15:57 EST 19.07.2023

Cube_WL_VX125-WD-CI-Sheet.V00

RL 2023-07-18

9C1 4495632-EN-00

Released

AM-ENT-IND SSL&EL H 330

ECM

Mehmet Ali Duman AMW

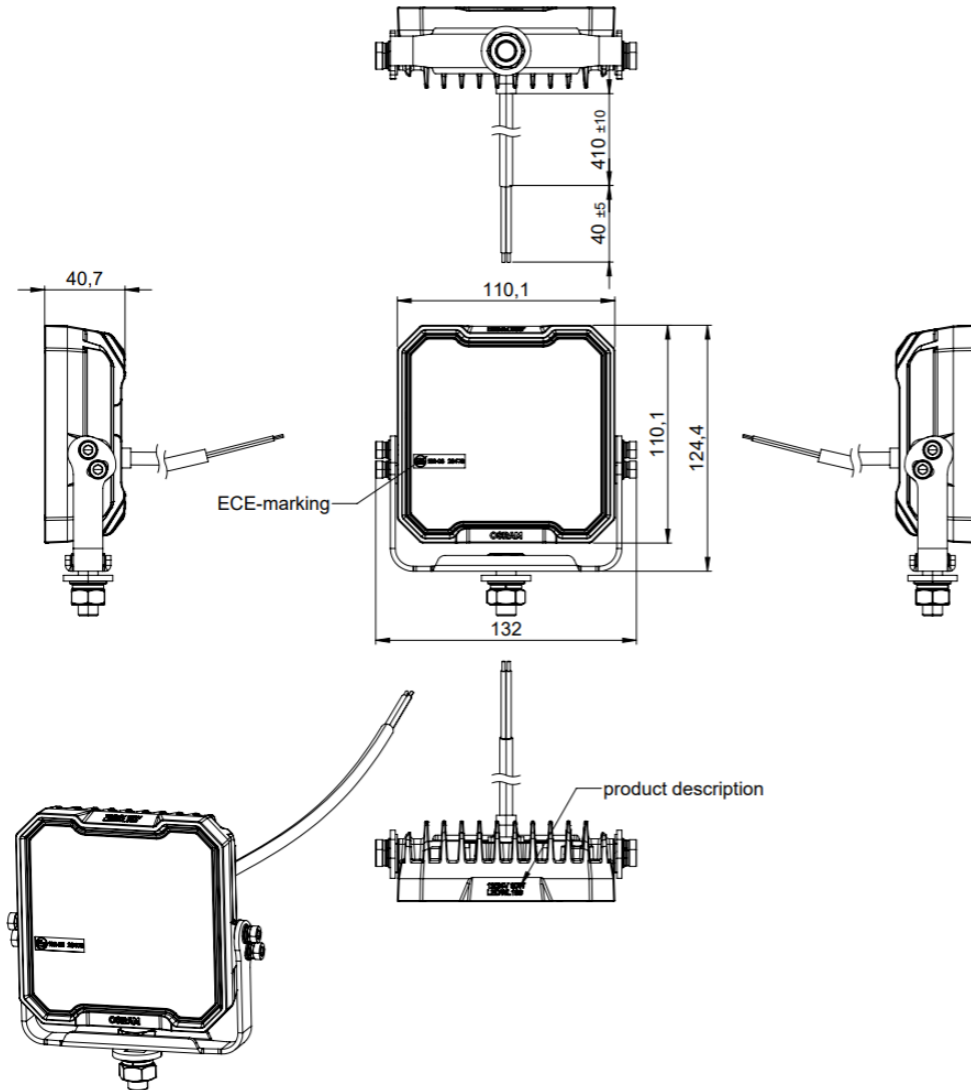
External no.:

Template: ZOT 10000028

Page 2 of 5

OSRAM GmbH: Chairman of the Supervisory Board: Dr. Thomas Stockmeier; Managing Directors: Rainer Barthel (Chairman), Babette Fröhlich;
Registered office: Munich; Commercial registry: Munich, HRB 201526; WEEE-Reg.-No. DE 71568000

Dimensions & Material



Dimensions	132 mm x 147mm x 40,7mm
Housing material	Black die cast aluminum
Lens material	Polycarbonate
Shape	Cube
Light pattern	Wide
Cable length	450mm
Weight lamp	539g
Weight lamp + bracket	682 g
Mounting / installation arrangements	Mounting with bracket
Adjust angle	-20 - 20 degrees

#OSRAM OLQ(V) #330 #M. DUMAN #AMW #Cube_WL_VX125-WD-CI - Sheet.V00 2023-07-18 #RL-Released 9C1 4495632-EN-00

Customer Information

The document is only valid in pdf format with the vertical stamp on the right margin.

Printed by M.DUMAN at 09:15:57 EST 19.07.2023

Cube_WL_VX125-WD-CI-Sheet.V00

RL 2023-07-18

9C1 4495632-EN-00

Released

AM-ENT-IND SSL&EL H 330

ECM

Mehmet Ali Duman AMW

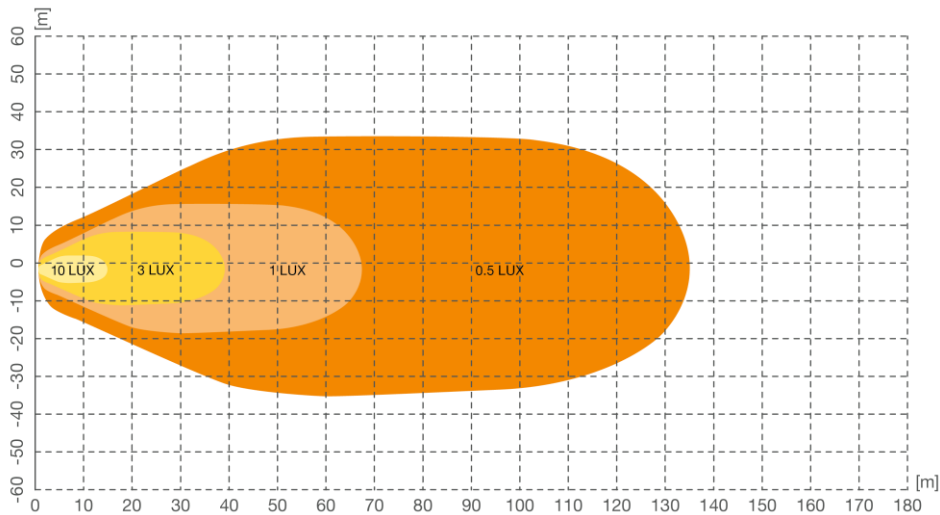
External no.:

Template: ZOT 10000028

Page 3 of 5

OSRAM GmbH: Chairman of the Supervisory Board: Dr. Thomas Stockmeier; Managing Directors: Rainer Barthel (Chairman), Babette Fröhlich;
Registered office: Munich; Commercial registry: Munich, HRB 201526; WEEE-Reg.-No. DE 71568000

Light distribution



Distribution width at one lux	26m
Distribution length at one lux	67m
Beam angle ¹ (horizontal / vertical)	43° / 43°
Field angle ² (horizontal / vertical)	82° / 83°

¹50% maximum intensity

²10% maximum intensity

Packaging content

No.	Part Name	Material	QTY
1	Working Light	Black die cast aluminum	1
2	User Manual	Paper	1
3	Plastic spacer	Plastic	1
4	M5 plain washer	Stainless steel	1
5	M5 spring washer	Stainless steel	1
6	M5 screw	Stainless steel	1
7	M10 plain washer	Stainless steel	1
8	Rubber washer	Rubber	1
9	M10 Spring washer	Stainless steel	1
10	M10 screw	Stainless steel	1
11	M10 Nut	Stainless steel	1
12	Bracket	Stainless steel	1

#OSRAM OLQ(V) #330 #M. DUMAN # #Cube_WL_VX125-WD-CI - Sheet . V00 #AMW #RL-Released 2023-07-18 9C1 4495632-EN-00

Customer Information

The document is only valid in pdf format with the vertical stamp on the right margin.

Printed by M.DUMAN at 09:15:57 EST 19.07.2023

Cube_WL_VX125-WD-CI-Sheet.V00

RL 2023-07-18

9C1 4495632-EN-00

Released

AM-ENT-IND SSL&EL H 330

ECM

Mehmet Ali Duman AMW

External no.:

Template: ZOT 10000028

Page 4 of 5

OSRAM GmbH: Chairman of the Supervisory Board: Dr. Thomas Stockmeier; Managing Directors: Rainer Barthel (Chairman), Babette Fröhlich;
Registered office: Munich; Commercial registry: Munich, HRB 201526; WEEE-Reg.-No. DE 71568000

Standards and regulations

EMC/EMI	ECE R10 - CISPR25 Class 3
IP Class	IP6K8 / IP6K9K
ECE	ECE R10
Others	ROHS, REACH

Electrical and photometrical data

Characteristics	Symbol	Unit	Major / Minor
Nominal voltage	U	V	12/24V
Voltage range	U	V	10V-36V
Power consumption	P	W	30W
Effective lumen	Φ	lm	3000lm

Lifetime

Test			
Lifetime average L70B50	Tc	h	>5.000

Further specifications

Test	Rated value
Color temperature	Cold White (6000K)
Ambient Temperature range (Ta)	-40°C to +65°C
Storage Temperature range (Ts)	-40°C to +65°C
Number of LED's	9 pcs.
LED Type	OSRAM
Connector	Open Cable ends
Thermal management	Overheat protection
Polarity	Polarity protection

Process of manufacturing

This product is designed and manufactured for the Automotive Aftermarket. Please consider the product specification to match the customer requirements.

Guarantee

Guarantee	2 years
-----------	---------

Successive listing of changes

Issue	Reason for change
12.07.2023	First Version

#OSRAM OLQ(V)
#330 #M.#DUMAN

#Cube_WL_VX125-WD-CI-Sheet.V00
#AMW

2023-07-18

#RL-Released

9C1 4495632-EN-00

Customer Information

The document is only valid in pdf format with the vertical stamp on the right margin.

Printed by M.DUMAN at 09:15:57 EST 19.07.2023

Cube_WL_VX125-WD-CI-Sheet.V00

RL 2023-07-18

9C1 4495632-EN-00

Released

AM-ENT-IND SSL&EL H 330

ECM

Mehmet Ali Duman AMW

External no.:

Template: ZOT 10000028

Page 5 of 5

OSRAM GmbH: Chairman of the Supervisory Board: Dr. Thomas Stockmeier; Managing Directors: Rainer Barthel (Chairman), Babette Fröhlich;
Registered office: Munich; Commercial registry: Munich, HRB 201526; WEEE-Reg.-No. DE 71568000

OSRAM OLQ(V)
#OSRAM
#330 #M. DUMAN

#AMW #Cube_WL_VX125-WD-CI-Sheet.V00
2023-07-18
#RL-Released
9C1 4495632-EN-00